

# FICHE D'HOMOLOGATION HOMOLOGATION FORM



COMMISSION INTERNATIONALE  
DE KARTING – FIA



## CARBURATEUR / CARBURETTOR

Constructeur	<i>Manufacturer</i>	TILLOTSON LTD.
Marque	<i>Make</i>	TILLOTSON
Modèle	<i>Model</i>	HC-115
Catégorie	<i>Category</i>	OK
Durée de l'homologation	<i>Validity of the homologation</i>	3 ans / 3 years
Nombre de pages	<i>Number of pages</i>	4

La présente Fiche d'Homologation reproduit descriptions, illustrations et dimensions du carburateur au moment de l'homologation CIK-FIA.

This Homologation Form reproduces descriptions, illustrations and dimensions of the carburettor at the moment of the CIK-FIA homologation..

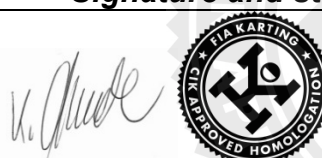
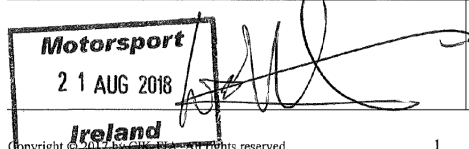


PHOTO CÔTÉ ASPIRATION /  
PHOTO OF INLET SIDE

PHOTO CÔTÉ RÉGLAGE /  
PHOTO OF ADJUSTING SIDE

Signature et tampon de l'ASN /  
Signature and stamp of the ASN

Signature et tampon de la CIK-FIA /  
Signature and stamp of the CIK-FIA



**042-CA-75**

PHOTO VUE ARRIERE /  
PHOTO VIEW FROM BEHIND

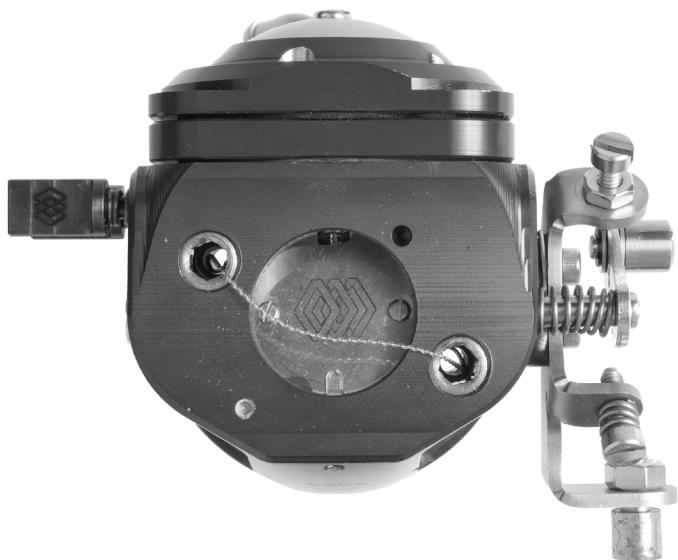


PHOTO CÔTÉ OPPOSÉ RÉGLAGE /  
PHOTO OPPOSITE TO ADJUSTING SIDE



PHOTO VUE DE DESSUS /  
PHOTO VIEW FROM ABOVE



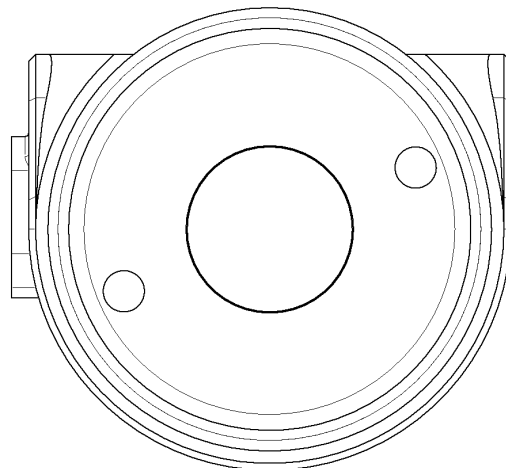
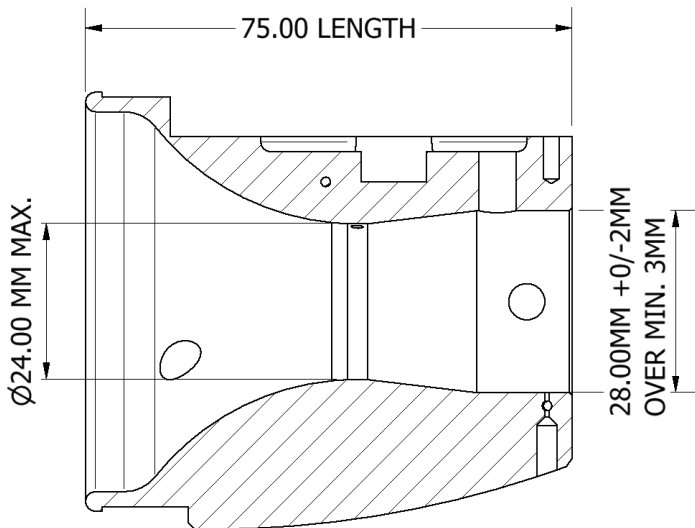
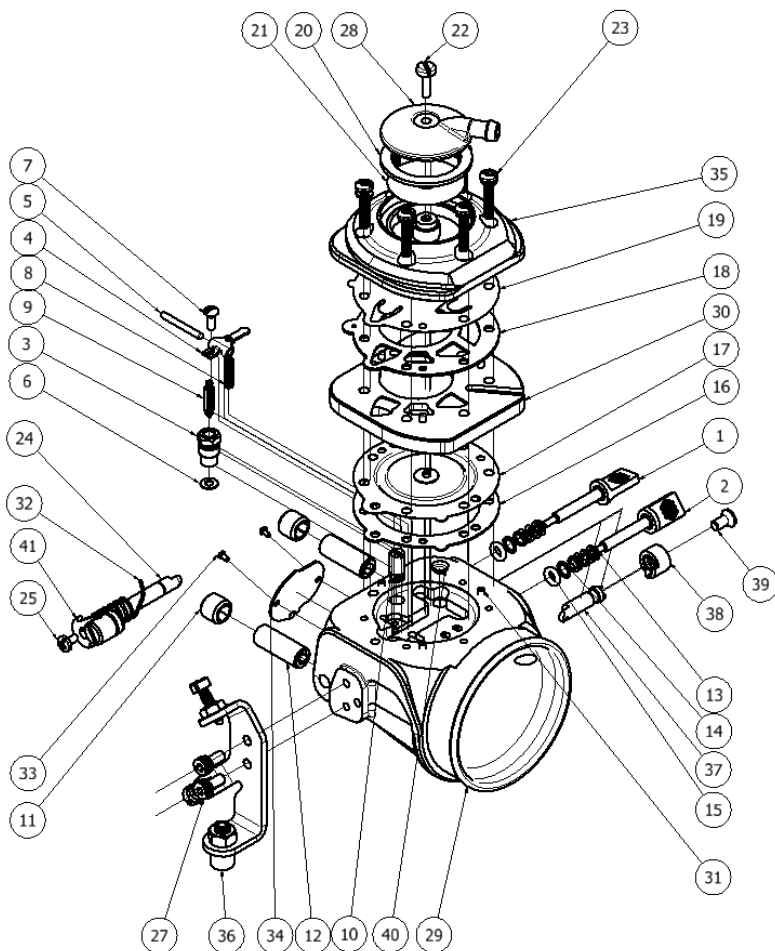
PHOTO VUE DE DESSOUS /  
PHOTO VIEW FROM UNDERNEATH



PHOTO VUE DE DESSUS <i>PHOTO VIEW FROM ABOVE (body)</i>	PHOTO CÔTÉ ASPIRATION (vue additionnelle) <i>PHOTO OF INLET SIDE (additional view)</i>
	
PHOTO CÔTÉ ASPIRATION (vue additionnelle) <i>PHOTO OF INLET SIDE (additional view)</i>	PHOTO CÔTÉ ASPIRATION (vue additionnelle) <i>PHOTO OF INLET SIDE (additional view)</i>
	

VUE EN SECTION CONDUIT D'ASPIRATION /  
INLET PORT SECTION VIEWVUE DE FACE CÔTÉ ASPIRATION /  
INLET SIDE FRONT VIEW

Echelle 1:1 / 1:1 Scale

DESCRIPTION DU CARBURATEUR ET  
ESQUISSE DES PIÈCESCARBURETTOR DESCRIPTION AND  
SKETCH OF PARTS

PARTS LIST		
ITEM	QTY	DESCRIPTION
1	1	M4 X 0.5 ADJUSTMENT SCREW ASSEMBLY L
2	1	M4 X 0.5 ADJUSTMENT SCREW ASSEMBLY H
3	1	+ INLET SEAT
4	1	+ INLET CONTROL LEVER
5	1	FULCRUM LEVER PIN
6	1	+* INLET SEAT GASKET
7	1	FULCRUM LEVER SCREW
8	1	INLET TENSION SPRING
9	1	+ INLET NEEDLE
10	1	IDLE NOZZLE
11	2	RETAINING NUT
12	2	CARBURETTOR MOUNTING NUT
13	2	ADJUSTMENT SCREW SPRING
14	2	ADJUSTMENT SCREW WASHER
15	2	ADJUSTMENT SCREW O-RING
16	1	+* METERING GASKET
17	1	+* DIAPHRAGM ASSEMBLY
18	1	+* PUMP GASKET
19	1	FUEL PUMP DIAPHRAGM
20	1	+* FUEL STRAINER COVER GASKET
21	1	FUEL STRAINER SCREEN
22	1	5-40 UNC SCREW
23	6	6 - 32 UNC SCREW WITH L/W
24	1	SPLIT THROTTLE SHAFT LONG
25	1	4-40 UNC SCREW
27	2	M4 X 0.7 SOCKET CAP SCREW
28	1	FUEL STRAINER COVER
29	1	CNC BODY
30	1	METERING COVER
31	3	PIN
32	1	THROTTLE RETURN SPRING
33	2	M2 X .4 SCREW
34	1	THROTTLE SHUTTER
35	1	PUMP COVER
36	1	CABLE BRACKET ASSEMBLY
37	1	SPLIT THROTTLE SHAFT SHORT
38	1	THROTTLE SHAFT ADJUSTER
39	1	M4 X 8MM COUNTERSUNK SCREW
40	1	* FILTER SCREEN
41	1	THROTTLE LEVER ASSEMBLY